

Date	Revision
1.6.2022	2

Important Information

We recommend that luminaires are installed by a qualified electrician ensuring the installation complies with current IEE wiring regulations BS7671:2018 & local building control.

- BELL will not accept responsibility for any claims arising from a poor installation.
- The light source of this luminaire is not replaceable: when the light source reaches end of life, the whole luminaire must be replaced.
- You are advised to test 5 samples before mass application of sensor in a new lighting project. The distance between any inductive sensors should be greater than 3m.
- Operating Temperature -30°C to +35°C, emergency versions 0°C to +35°C.
- Maximum PIR Sensor operating height 12m.
- Maximum Microwave Sensor operating height 15m.
- All tests should be carried out in accordance to EN 50172:2004.

Warning Before installation ensure power is disconnected

This product may contain substances that can be hazardous to the environment if not disposed of properly. Electrical and electronic equipment should never be disposed of with general household waste but must be separated for its correct treatment and recovery.

Where possible recycle your packaging.



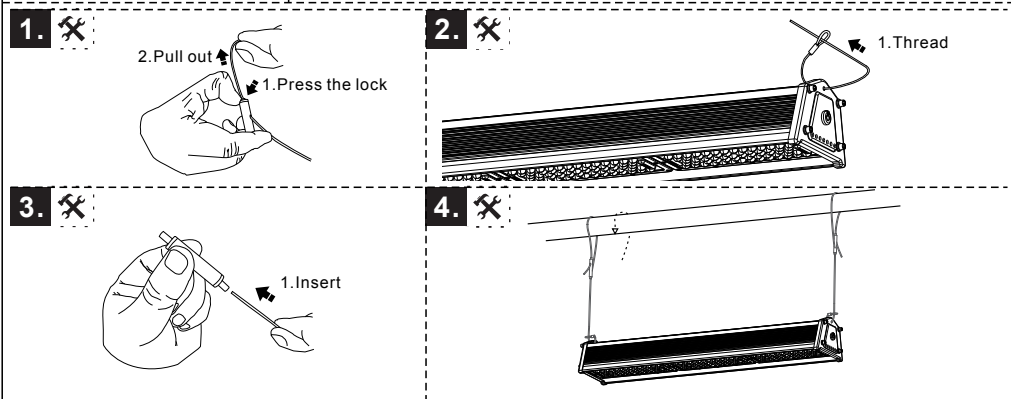
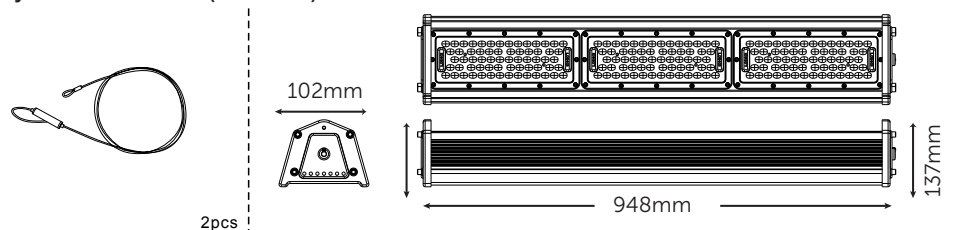
Read these instructions before installation and retain for future reference

This equipment should be installed by a competent electrician

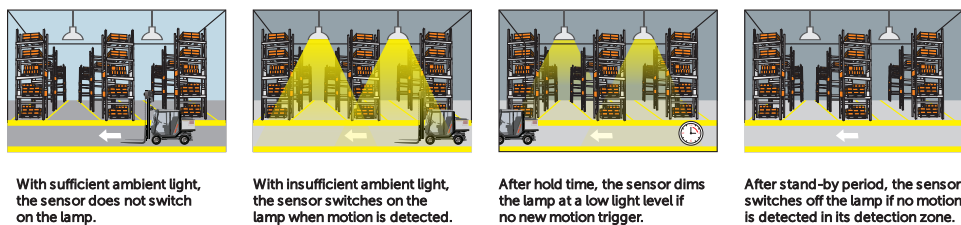


A. Wire Suspension Installation

Physical Dimensions(Unit: mm)



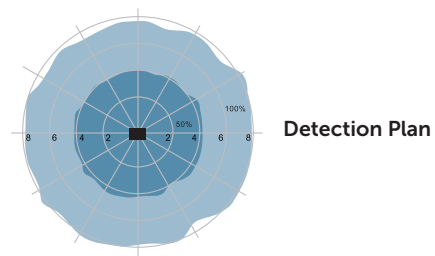
Dimming Function (Sensor Versions)



Technical Specification	
Input Voltage	AC 100-240V (Non Sensor/Emergency)
Power Frequency	50/60 Hz
Outlook Dimensions	948 x 137 x 102mm
Net Weight	5.7 Kg
Working Temp	-30° to +35° C

Connect as shown in wiring diagram below

L	brown	black
N	blue	white
⊕ GND	yellow/green	green
Dimmable 1-10v		
DIM+	purple	
DIM-	grey	



Technical Helpline +44 (0)1924 893380

www.bellighting.co.uk

British Electric Lamps Ltd, Unit A Foxbridge Way
Normanton Ind Est, Normanton, West Yorkshire. WF6 1TN

T: +44 (0)1924 893380 F: +44 (0)1924 894320 E: sales@bellighting.co.uk

Testing & Commissioning for Emergency Luminaire

- Ensure the Load is connected.
- Connect the battery.
- Switch on the Unswitched Supply
- Check the Charge LED illuminates.
- Switch on the Maintained Supply
- Check the LED illuminates as normal.
- Switch off the Maintained Supply.
- Switch off the Unswitched Supply
- Check the Charge LED extinguishes and the load LED illuminates at a reduced output.
- Enter the commissioning date on the Battery Pack.
Switch on the Unswitched Supply

Luminaire Ref/Location		In Case of difficulty, contact the Installation Engineers:- Tel: _____									
Full Recharge Time 24 Hours			Duration 3 Hours			Lamp Type - LED					
ROUTINE TEST RECORD											
	Year 1		Year 2		Year 3		Year 4		Year 5		
Monthly Test	Signed	Date	Signed	Date	Signed	Date	Signed	Date	Signed	Date	
Functional											
Functional											
Functional											
Functional											
Functional											
Functional											
Functional											
Functional											
Functional											
Functional											
Functional											
Three Hour											